



Product: Rubber Lined Clips

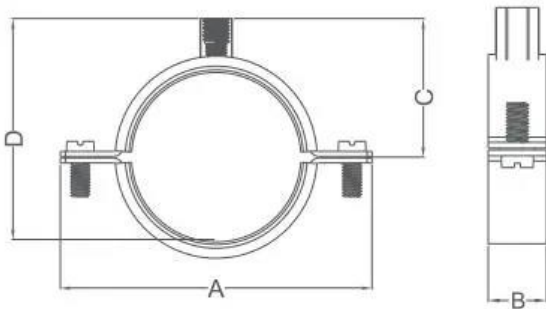
Code: RLC

Product Overview:

A high quality rubber lined clip which benefits from a dual 8/10 mm base thread. The Tesla range of products is used in a wide variety of domestic and commercial applications and comprises pipe fixings to suit many different types of material, including copper, polybutylene (PB), cross linked polyethylene (PE-X), low carbon and stainless steels.

Features & Benefits:

- Pressed mild steel, zinc plated and passivated
- EPDM rubber insulation for noise reduction compliant with DIN 4109
- Operating Temperature -50°C to +110°C
- Resistant to UV light, weather and ageing
- Can be used with M8 or M10 studding
- M6 clamp screws



Part number			Size	SWL	Rod size	A	B	C	D	Mat. thickness
RLC1419	3/8"	18 mm	14mm - 19mm	200 kg	M8/M10	60 mm	20 mm	26 mm	36 mm	1.0 mm
RLC2025	1/2"	22 mm	20mm - 25mm	200 kg	M8/M10	65 mm	20 mm	29 mm	43 mm	1.1 mm
RLC2631	3/4"	28 mm	26mm - 31mm	200 kg	M8/M10	70 mm	20 mm	32 mm	50 mm	1.1 mm
RLC3236	1"	35 mm	32mm - 36mm	200 kg	M8/M10	85 mm	20 mm	36 mm	56 mm	1.1 mm
RLC3843	1-1/4"	42 mm	38mm - 43mm	200 kg	M8/M10	92 mm	20 mm	39 mm	63 mm	1.1 mm

TECHNICAL DATA SHEET

Data sheet no.:TDSRLC

Issue No.: 2

Part number			Size	SWL	Rod size	A	B	C	D	Mat. thickness
RLC4751	1-1/2"	48 mm	47mm - 51mm	200 kg	M8/M10	98 mm	20 mm	42 mm	72 mm	1.1 mm
RLC5358		54 mm	53mm - 58mm	200 kg	M8/M10	104 mm	20 mm	45 mm	75 mm	1.1 mm
RLC6064	2"	60 mm	60mm - 64mm	200 kg	M8/M10	110 mm	20 mm	48 mm	81 mm	1.1 mm
RLC6872		70 mm	68mm - 72mm	200 kg	M8/M10	120 mm	20 mm	53 mm	91 mm	1.4 mm
RLC7580	2-1/2"	75 mm	75mm - 80mm	200 kg	M8/M10	125 mm	20 mm	56 mm	96 mm	1.4 mm
RLC8186		83 mm	81mm - 86mm	200 kg	M8/M10	139 mm	20 mm	60 mm	108 mm	1.4 mm
RLC8792	3"	90 mm	87mm - 92mm	200 kg	M8/M10	146 mm	20 mm	63 mm	111 mm	1.4 mm
RLC99105	3-1/2"	100 mm	99mm - 105mm	200 kg	M8/M10	156 mm	20 mm	68 mm	121 mm	1.4 mm
RLC109112		110 mm	109mm - 112mm	200 kg	M8/M10	166 mm	20 mm	73 mm	131 mm	1.4 mm
RLC113118	4"	115 mm	113mm - 118mm	200 kg	M8/M10	171 mm	20 mm	76 mm	136 mm	1.9 mm
RLC125130		125 mm	125mm - 130mm	200 kg	M8/M10	181 mm	20 mm	81 mm	146 mm	1.9 mm
RLC132137		133 mm	132mm - 137mm	200 kg	M8/M10	184 mm	20 mm	85 mm	155 mm	1.9 mm
RLC138142	5"	140 mm	138mm - 142mm	299 kg	M8/M10	196 mm	20 mm	88 mm	161 mm	1.9 mm
RLC148152		150 mm	148mm - 152mm	299 kg	M8/M10	206 mm	20 mm	93 mm	171 mm	1.9 mm
RLC159166		160 mm	159mm - 166mm	299 kg	M8/M10	216 mm	25 mm	98 mm	181 mm	1.9 mm
RLC168172	6"	168 mm	168mm - 172mm	299 kg	M8/M10	224 mm	25 mm	102 mm	189 mm	1.9 mm
RLC200212		200 mm	200mm - 212mm	299 kg	M8/M10	256 mm	25 mm	118 mm	221 mm	1.9 mm
RLC215220	8"	220 mm	215mm - 220mm	299 kg	M8/M10	276 mm	25 mm	128 mm	241 mm	1.9 mm
RLC248252		250 mm	248mm - 252mm	299 kg	M8/M10	306 mm	25 mm	143 mm	271 mm	1.9 mm
RLC313318		315 mm	313mm - 318mm	299 kg	M8/M10	271 mm	25 mm	176 mm	336 mm	1.9 mm